

Environmental Product Declaration



In accordance with ISO 14025 and EN 15804:2012+A2:2019 for:

FIL35, FIL45, FIL50, FIL70 and FIL120 Modular Linear Technical Luminaires

from

LAMP S.A.U.



Worktitude for light

Programme:

Programme operator:

EPD registration number:

Publication date:

Valid until:

The International EPD® System, www.environdec.com

EPD International AB

S-P-05607

2022-03-14

2027-03-13

An EPD should provide current information and may be updated if conditions change. The stated validity is therefore subject to the continued registration and publication at www.environdec.com

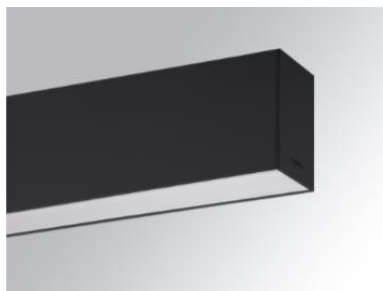


Table of Content

General information..... 3

 Programme information 3

 Company information..... 4

 Product informarion 5

LCA information..... 20

 A1-A3 Product stage 21

 A4-A5 Installation stage 22

 B1-B7 Use stage..... 23

 C1-C4 End of life stage..... 24

 D Reuse, recovery and recycling potential stage 25

 Additional information..... 27

 Content information..... 28

 Environmental information 29

Information related to Sector EPD..... 33

References..... 33

General information

Programme information

Programme:	The International EPD [®] System
Direction:	EPD International AB Box 210 60 SE-100 31 Stockholm Sweden
Website:	www.environdec.com
E-mail:	info@environdec.com

CEN standard EN 15804 serves as the Core Product Category Rules (PCR)
Product category rules (PCR): <i>PCR 2019:14 Construction Products (EN 15804: A2), version 1.11</i>
PCR review was conducted by: <i>El Comité Técnico del Sistema Internacional EPD[®].</i>
<i>Presidente: Claudia A. Peña. Contact via info@environdec.com</i>
Independent third-party verification of the declaration and data, according to ISO 14025:2006: <input type="checkbox"/> EPD process certification <input checked="" type="checkbox"/> EPD verification
Third party verifier: <i>Marcel Gómez Consultoria Ambiental</i> Verifier: <i>Marcel Gómez Ferrer</i> Phone: +34 630 64 35 93 Email: info@marcelgomez.com Website: www.marcelgomez.com
Procedure for follow-up of data during EPD validity involves third party verifier: <input checked="" type="checkbox"/> Yes <input type="checkbox"/> No

The EPD owner has the sole ownership, liability, and responsibility for the EPD.

EPDs within the same product category but from different programmes may not be comparable. EPDs of construction products may not be comparable if they do not comply with EN 15804. For further information about comparability, see EN 15804 and ISO 14025.

Company information

Owner of the EPD: LAMP S.A.U.

Contact: Xavi Marba - Quality manager
+34 937 36 68 00
xavi_marba@lamp.es
<https://www.lamp.es/>

Description of the organization: At Lamp we are **work** and **attitude**, we are **Worktitude for Light**

At Lamp we create lighting solutions that respond to new ways of life by providing well-being through good lighting, generating a positive impact on both people and the environment.

How do we do it? Through our **Worktitude**...

For Wellbeing: understanding the lighting as an **element for improving people's well-being**.

For Life: encouraging projects with a **positive impact on the environment**.

For innovation: understanding that innovation is a **systemic and systematic process**.

For **50 years** we have been turning our **customers' lighting challenges into reality**.

LIGHT IS OUR DNA: Combining experience, knowledge, and constant evolution.

INTERNATIONAL VISION, LOCAL COMMITMENT: From our HQ in Terrassa and local presence, we reach more than 70 countries.

HUMAN TEAM: Engineers, designers and other professional profiles working together on your project.

CO-CREATION: Developing special lighting solutions, making each project unique.

Main application segments:

- Education, Office, Common Spaces, Health Care&Wellness, High Density transit;
- Commercial Retail;
- Architectural outdoor.

Certifications related to the product or the management system: Lamp 's fundamental purpose is to achieve full customer satisfaction by meeting and exceeding their expectations, while generating the least possible environmental impacts. This philosophy basically responds to the application and implementation of the following points:

- Lamp's products must comply with all legal regulations required in the Spanish and European Regulations (EC), e.g. EN 62471 Photobiological safety.
- Compliance with applicable environmental legislation and regulations, as well as endorsed voluntary requirements.
- A quality and environmental management system based on the UNE-EN ISO 9001:2015 and UNE-EN ISO 14001:2015 standards, which facilitates labor and improves continuously the offered products and services in an environmentally respectful manner.

Name and location of production site: C/ Córdoba 16, 08226 Terrassa (Barcelona), Spain.

Product information

Product name: This EPD® represents the **FIL** family of **Lamp**, including the following models:

Fil 35 of **surface, recessed and trimless** installation, in **six lengths, two types of switches** and **three finishing colors**, covering the following 3 typologies:

- **Fil 35 Direct**
- **Fil 35 Direct – Indirect**
- **Fil 35 Corner**

Fil 45 of **surface and recessed** installation, in **six lengths, two types of switches** and **three finishing colors**, covering the following 8 named typologies:

- **Fil 45 Direct Opal**
- **Fil 45 Direct Opal Comfort**
- **Fil 45 Direct Tech**
- **Fil 45 Direct Tunable White**
- **Fil 45 Direct Wellbeing**
- **Fil 45 Direct Tunable White WB**
- **Fil 45 Direct Indirect**
- **Fil 45 Corner**

Fil 50 of **surface and recessed** installation, in **two lengths, two types of switches** and **two finishing colors**.

Fil 70 of **surface and recessed** installation, in **four lengths, two types of switches** and **two finishing colors**, covering the following 3 typologies:

- **Fil 70 Direct**
- **Fil 70 Direct Tech**
- **Fil 70 Direct – Indirect**
- **Fil 70 Corner**

Fil 120 of **surface and recessed** installation, in **two lengths, two types of switches** and **two finishing colors**.

Product identification: Modular linear technical luminaire.

The references available on the market are differentiated by a combination of codes. These codes indicate a series of characteristics such as type of installation, dimensions, light unit, color rendering index, type of color in Kelvin degree, type of switch and finishing color. The references studied in this EPD (divided by diffuser model) are:

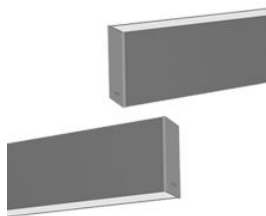
1. FIL 35:

- **Fil 35 Direct**



<u>Instalation</u>		<u>Formats</u>		<u>Lm LED/m</u>		<u>Optic</u>		<u>IRC</u>		<u>K</u>		<u>Equipo</u>		<u>Acabados</u>	
SF	Surface	084	840mm	LO	1470lm	OP	Opal	8	80	30	3000 K	N	ON/OFF	B	Black 02
RE	Recessed	112	1120mm	MO	2650lm	OC	Opal Comfort			40	4000 K	D	DALI	W	White 02
		140	1400mm											G	Grey 01
		168	1680mm												
		196	1960mm	LO	1470lm	OP	Opal	8	80	30	3000 K	N	ON/OFF	B	Black 02
		224	2240mm	MO	2650lm					40	4000 K	D	DALI	W	White 02
														G	Grey 01
TR	Trimless	084	840mm	LO	1470lm	OP	Opal	8	80	30	3000 K	N	ON/OFF	W	White 02
		112	1120mm	MO	2650lm	OC	Opal Comfort			40	4000 K	D	DALI		
		140	1400mm												
		168	1680mm												
		196	1960mm	LO	1470lm	OP	Opal	8	80	30	3000 K	N	ON/OFF	W	White 02
		224	2240mm	MO	2650lm					40	4000 K	D	DALI		

- **Fil 35 Direct - Indirect**



<u>Installation</u>		<u>Formats</u>		<u>Lm LED/m</u>		<u>Optic</u>		<u>IRC</u>		<u>K</u>		<u>Equipo</u>		<u>Acabados</u>	
SF	Surface	084	840mm	LO	1470lm	IO	Direct-Indirect Opal	8	80	30	3000 K	N	ON/OFF	B	Black 02
		112	1120mm	MO	2650lm	IC	Direct-Indirect Opal Comfort			40	4000 K	D	DALI	W	White 02
		140	1400mm											G	Grey 01
		168	1680mm												
		196	1960mm	LO	1470lm	IO	Direct-Indirect Opal								
		224	2240mm	MO	2650lm										

- **Fil 45 Corner**



<u>Installation</u>		<u>Formats</u>		<u>Lm LED/m</u>		<u>Optic</u>		<u>IRC</u>		<u>K</u>		<u>Equipo</u>		<u>Acabados</u>	
SF	Surface	HC	Horizontal Corner	LO	1470lm	OP	Opal	8	80	30	3000 K	N	ON/OFF	B	Black 02
RE	Recessed					OC	Opal Comfort			40	4000 K	D	DALI	W	White 02
														G	Grey 01
		VCI	Vertical Corner Interior	LO	1470lm	OP	Opal	8	80	30	3000 K	N	ON/OFF	B	Black 02
		VCE	Vertical Corner Exterior							40	4000 K	D	DALI	W	White 02
														G	Grey 01

Installation		Formats		Lm LED/m		Optic		IRC		K		Equipo		Acabados	
TR	Trimless	HC	Horizontal Corner	LO	1470lm	OP	Opal	8	80	30	3000 K	N	ON/OFF	W	White 02
						OC	Opal Comfort			40	4000 K	D	DALI		
		VCI	Vertical Corner Interior	LO	1470lm	OP	Opal	8	80	30	3000 K	N	ON/OFF	W	White 02
		VCE	Vertical Corner Exterior							40	4000 K	D	DALI		

2. FIL 45:

- **Fil 45 Direct Opal**



Installation		Formats		Lm LED/m		Optic		IRC		K		Equipo		Acabados	
SF	Surface	084	840mm	MO	2320lm	OP	Opal	8	80	30	3000 K	N	ON/OFF	B	Black 02
RE	Recessed	112	1120mm	HO	4288lm					40	4000 K	D	DALI	W	White 02
		140	1400mm											G	Grey 01
		168	1680mm												
		196	1960mm												
		224	2240mm												

- Fil 45 Direct Opal Comfort



<u>Installation</u>		<u>Formats</u>		<u>Lm LED/m</u>		<u>Optic</u>		<u>IRC</u>		<u>K</u>		<u>Equipo</u>		<u>Acabados</u>	
SF	Surface	084	840mm	MO	2320lm	PR	Opal Comfort	8	80	30	3000 K	N	ON/OFF	B	Black 02
RE	Recessed	112	1120mm							40	4000 K	D	DALI	W	White 02
		140	1400mm											G	Grey 01
		168	1680mm												

- Fil 45 Direct Tech



<u>Installation</u>		<u>Formats</u>		<u>Lm LED/m</u>		<u>Optic</u>		<u>IRC</u>		<u>K</u>		<u>Equipo</u>		<u>Acabados</u>	
SF	Surface	084	840mm	MO	2320lm	TE	Tech	8	80	30	3000 K	N	ON/OFF	B	Black 02
RE	Recessed	112	1120mm							40	4000 K	D	DALI	W	White 02
		140	1400mm											G	Grey 01
		168	1680mm												
		196	1960mm												
		224	2240mm												

- Fil 45 Direct Tunable White



<u>Installation</u>		<u>Formats</u>		<u>Lm LED/m</u>		<u>Optic</u>		<u>IRC</u>		<u>K</u>		<u>Equipo</u>		<u>Acabados</u>	
SF	Surface	112	1120mm	MO	2320lm	OP	Opal	8	80	TW	Tunable White	D	DALI	B	Black 02
RE	Recessed	168	1680mm			PR	Opal Comfort							W	White 02
		224	2240mm	MO	2320lm	OP	Opal							G	Grey 01

- Fil 45 Direct Wellbeing



<u>Installation</u>		<u>Formats</u>		<u>Lm LED/m</u>		<u>Optic</u>		<u>K</u>		<u>Equipo</u>		<u>Acabados</u>	
SF	Surface	112	1120mm	MO	2320lm	PR	Opal Comfort	WB3	3000 WB	N	ON/OFF	B	Black 02
RE	Recessed	168	1680mm					WB4	4000 WB	D	DALI	W	White 02
												G	

- Fil 45 Direct Tunable White WB



<u>Installation</u>		<u>Formats</u>		<u>Lm LED/m</u>		<u>Optic</u>		<u>K</u>		<u>Equipo</u>		<u>Acabados</u>	
SF	Surface	112	1120mm	MO	2320lm	PR	Opal Comfort	WBT	Tunable White WB	D	DALI	B	Black 02
RE	Recessed	168	1680mm									W	White 02
												G	Grey 01

- Fil 45 Direct Indirect



<u>Installation</u>		<u>Formats</u>		<u>Lm LED/m</u>		<u>Optic</u>		<u>IRC</u>		<u>K</u>		<u>Equipo</u>		<u>Acabados</u>	
SF	Surface	084	840mm	MO	2320lm	IO	Dir/Ind Opal	8	80	30	3000 K	N	ON/OFF	B	Black 02
		112	1120mm			IP	Dir/Ind Opal Comfort			40	4000 K	D	DALI	W	White 02
		140	1400mm											G	Grey 01
		168	1680mm												

- Fil 45 Corner



<u>Installation</u>		<u>Formats</u>		<u>Lm LED/m</u>		<u>Optic</u>		<u>IRC</u>		<u>K</u>		<u>Equipo</u>		<u>Acabados</u>	
SF	Surface	CR	Corner	MO	2320lm	OP	Opal	8	80	30	3000 K	N	ON/OFF	B	Black 02
RE	Recessed					PR	Opal Comfort			40	4000 K	D	DALI	W	White 02
														G	Grey 01

3. Fil 50:



<u>Installation</u>		<u>Formats</u>		<u>Lm LED/m</u>		<u>Optic</u>		<u>IRC</u>		<u>K</u>		<u>Equipo</u>		<u>Acabados</u>	
SF	Surface	120	1137mm	MO	2600lm	OP	Opal	8	80	30	3000 K	N	ON/OFF	W	White 02
RC	Recessed	170	1700mm			PR	Prismatic			40	4000 K	D	DALI	G	Grey 01
				HO	5200lm	OP	Opal	8	80	30	3000 K	N	ON/OFF		
						PR	Prismatic			40	4000 K				

4. Fil 70:

- **Fil 70 Direct**



<u>Installation</u>		<u>Formats</u>		<u>Lm LED/m</u>		<u>Optic</u>		<u>IRC</u>		<u>K</u>		<u>Equipo</u>		<u>Acabados</u>	
SF	Surface	120	1162mm	LO	2200lm	OP	Opal	8	80	30	3000 K	N	ON/OFF	W	White 02
RE	Recessed	170	1743mm	HO	3800lm					40	4000 K	D	DALI	G	Grey 01
						PR	Prismatic	8	80	30	3000 K	N	ON/OFF		
										40	4000 K				

- **Fil 70 Direct Tech**



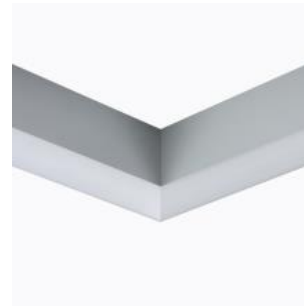
<u>Installation</u>		<u>Formats</u>		<u>Lm LED/m</u>		<u>Optic</u>		<u>IRC</u>		<u>K</u>		<u>Equipo</u>		<u>Acabados</u>	
SF	Surface	100	1000mm	LO	1600lm	TS	Tech Symmetric	8	80	30	3000 K	N	ON/OFF	W	White 02
RE	Recessed			MO	3200lm	TA	Tech Asymmetric			40	4000 K	D	DALI	G	Grey 01
		200	2000mm	MO	3200lm										
				HO	6400lm										

- Fil 70 Direct – Indirect



<u>Installation</u>		<u>Formats</u>		<u>Lm LED/m</u>		<u>Optic</u>		<u>IRC</u>		<u>K</u>		<u>Equipo</u>		<u>Acabados</u>	
SU	Suspended	120	1162mm	MO	3300lm	IO	Indirect-Direct Opal	8	80	30	3000 K	N	ON/OFF	W	White 02
		170	1743mm							40	4000 K			G	Grey 01

- Fil 70 Corner



<u>Formato</u>		<u>Installation</u>		<u>Lm LED/m</u>		<u>Optic</u>		<u>IRC</u>		<u>K</u>		<u>Equipo</u>		<u>Acabados</u>	
HC	Horizontal Corner	SF	Surface	LO	2200lm	OP	Opal	8	80	30	3000 K	N	ON/OFF	W	White 02
		RE	Recessed	HO	3800lm					40	4000 K			G	Grey 01

5. Fil 120:



<u>Installation</u>		<u>Formats</u>		<u>Lm LED/m</u>		<u>Optic</u>		<u>IRC</u>		<u>K</u>		<u>Equipo</u>		<u>Acabados</u>	
SF	Surface	12	1162mm	HO	6500lm	OP	Opal	8	80	30	3000 K	N	ON/OFF	W	White 02
RE	Recessed	17	1743mm							40	4000 K	D	DALI	G	Grey 01

UN CPC Code: 4653 Lighting equipment.

Product description:

Firstly, the general description of the studied models is presented:

1. Fil 35

Fil 35 is a linear luminaire family with a wide range of lengths with dimensions miniaturization that allows a high integration of the product in space.

Available for surface, recessed and recessed trimless installations, with six standardized lengths and black, white or grey matt finishing. Integrates MID-POWER LED technology with warm white and neutral white colour temperature. Models with DALI regulation drivers are available.

2. Fil 45

Fil 45 is a linear luminaire family with a wide range of optical solutions with dimensions optimization and wide range of lighting distributions which allow high versatility to adapt to technical requirements in space.

Available in direct and indirect distributions with opal, opal comfort or tech diffuser solutions for better glare control. Also available for surface-mounted and recessed installation, with six standardised lengths and the option of a horizontal corner format.

Available in black, white and matt grey finishes. Integrates medium-power LED technology with warm white or neutral white colour temperature, also with a version in dynamic white. Incorporates wellbeing technology to optimise the circadian cycle.

3. Fil 50

Fil 50 is a comprehensive family of modular structures that its diffusers, reflectors, accessories and different dimensions grand great versatility, making it an ideal option for general lighting in offices, hotels, restaurants, schools, etc. Available for surface-mounted and recessed installation.

Fil 50 is a profile made of satin grey or matt white lacquered extruded aluminium. Models for MID-POWER LED. With opal and prismatic polycarbonate diffuser. With an IP20 or IP42 protection rating. Insulation class I.

Controllable under the Casambi protocol.

4. Fil 70

Fil is a comprehensive family of modular structures that its diffusers, reflectors, accessories and different dimensions grand great versatility, making it an ideal option for general lighting in offices, hotels, restaurants, schools, etc. Available for surface-mounted and recessed installation, in satin grey as well as white matt finishing.

Fil 70 recessed is also available with no frame, Fil 70 Trimless, providing continuous lighting without dark areas with opal and prismatic polycarbonate diffuser. In the technical models, Fil 70 Tech, the double parabola optics ensures a UGR<19.

Fil 70 Tech Asym with asymmetric distribution allows perimeter lighting or wall washer applications. Fil 70 Corner is designed to illuminate corners.

There are models available with DALI adjustable equipment.

5. Fil 120

Fil is a comprehensive family of modular structures that its diffusers, reflectors, accessories and different dimensions grant great versatility, making it an ideal option for general lighting in offices, hotels, restaurants, schools, etc. Available for surface-mounted and recessed installation, in satin grey as well as white matt finishing.

Fil 120 is the specialized model to illuminate spaces with great height.

All five models under study are fabricated by extruding recycled aluminium (recycled composition between 80-85%), in such way reducing carbon footprint and environmental impact. Luminaire classified as “Free of photobiological risk” in accordance with the EN 62471 normative.

The three available finishing colors black, grey and white are shown in the images below:



At the composition level, all the luminaires of the FIL family are mainly composed of an aluminum body (profile) that contains a polycarbonate diffuser, a LED module, a LED Driver (switch), electrical cables and fixation elements, such as steel screws, cable ducts and LED fixing pieces. According to the tables in the [Product Identification](#) section, among Fil30, Fil45, Fil50, Fil70 and Fil120 **models**, the difference is the **width of the aluminum profile**, where the numerical code indicates the width of the product in mm. The **typologies** available for each model are differentiated by **(1) types of installation, (2) types of diffusers and (3) type of switch**. In terms of potential environmental impact, among these, the following characteristics are considered:

- (1) **Types of installation:** The aluminum body (profile) of surface installation is slightly higher than that of the recessed installation (80 mm and 76 mm, respectively, see figures 1 and 2), with a difference in mass of 4%

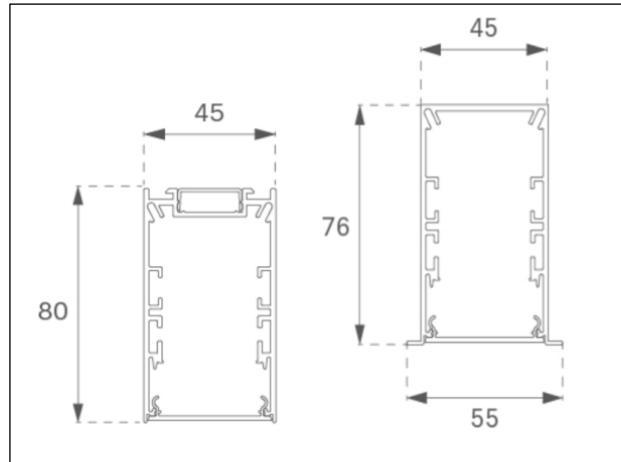


Figura 1. Example of the cross section of the aluminum profile for surface (left) and recessed (right) installation in Model Fil45

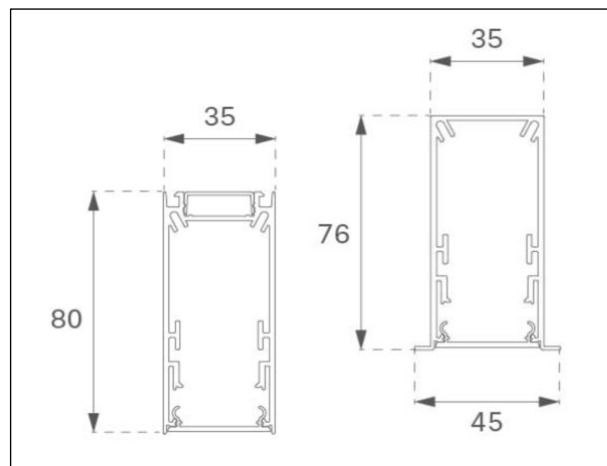


Figura 2. Example of the cross section of the aluminum profile for surface (left) and recessed (right) installation in Model Fil35

- (1) **Types of diffusors:** Opal, Opal Comfort, Tech and Prismatic. These pieces are made of polycarbonates in different shapes and finishes:

	Opal	Opal Comfort	Tech
Material	Polycarbonate		
Color	Opal	White on the sides, clear in the middle	Transparent inside and white outside
Kg/m	0,014	0,014	0,022

- (2) **Type of switch:** On/Off and Dali (Adjustable). While these two have a similar casing, the Dali unit has a more complicated PCB, allowing regulation between 1% and 100%, which will consume less energy than the On/Off unit.

	On/Off	Dali
Nature	LED Driver	
Unit weight (kg)	0,163	0,207

Sensitivity analysis performed on the differential components of each reference has shown that the difference in potential environmental impact of the different types of installation, color of diffuser and

type of switch (Driver) does not affect more than 10% of the total potential impact of a luminaire unit, therefore the grouping of the results according to UNE-EN 15804:2012+A2:2019 is complied.

Finally, the technical characteristics of the luminaires are presented with one representative for surface installation and another for recessed installation:

1. Surface installation: Reference **F41SF112MOPR830NG**

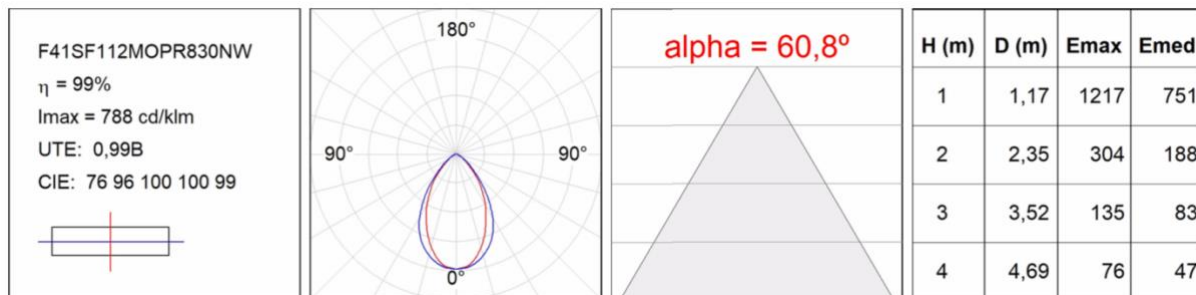
Lamp's surface structure for suspension or attachment. Made of matt grey painted extruded aluminium with comfort opal diffuser made of translucent polycarbonate and optic sheet for a light distribution and glare control below UGR19. Model for MID-POWER LED, with warm white color temperature and included control gear. Protection degree IP20, IK07. Insulation class I. Photobiological safety group 0.

The technical characteristics of this model are indicated in the following table:

Output flow	1 671 lm	Pled	16W
Plum	17.5W	K	3000
Effectiveness	95,4 lm/w	IRC	80
UGR	18	MacAdam	3
Light source	MID POWER TRIDONIC	Supply	220-240V 50/60Hz
LED life in hours	70 000 L80 B10	Switch	Electronic



Lastly, the photometric data is:



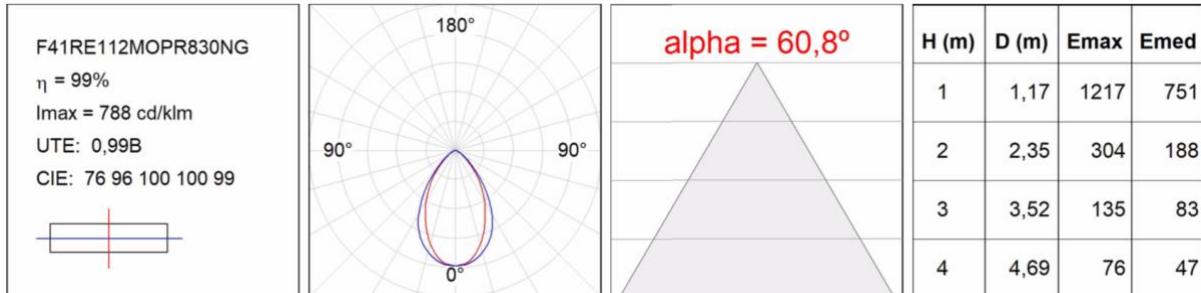
2. Resessed installation: Reference **F41RE112MOPR830NG**

Lamp's recessed structure. Made of matt grey painted extruded aluminium with comfort opal diffuser made of translucent polycarbonate and optic sheet for a light distribution and glare control below UGR19. Model for MID-POWER LED, with warm white color temperature and included control gear. Protection degree IP20, IK07. Insulation class I. Photobiological safety group 0.

The technical characteristics of this model are indicated in the following table:

Flujo de salida	1 671 lm	Pled	16W
Plum	17.5W	K	3000
Eficacia	95,4 lm/w	IRC	80
UGR	18	MacAdam	3
Fuente de luz	MID POWER TRIDONIC	Alimentacion	220-240V 50/60Hz
Horas de vida LED	70 000 L80 B10	Equipo	Electronico

Lastly, the photometric data is:



LCA information

Declared unit: The declared unit is that quantification of a function offered by the object of study according to which all the inputs (resources and necessary energy) and outputs (emissions and waste) of the studied system will be referred.

In this case, the manufacture, distribution, installation, use and end of life of **one linear meter of (1 m) Modular linear technical luminaire FIL** has been selected as the Declared Unit, including the fixation components.

Reference service life: is considered to be 5 years, based on the quality guarantee offered to clients.

It should be noted that the useful life of LED can be up to 70,000 hours. In normal operational regime of 8 hours per day for 250 working days per year, the product lasts up to 35 years.

Temporal and geographical representativeness: The primary data used has been obtained from the production center of FIL product for the year 2020, being representative of the products and the production process.

This document will be used for B2B communication, with a global scope.

Data quality: Primary data has been used regarding quantities of material (both electronic components on the market and custom profile elements and others produced internally) and energy consumed during the product's life cycle. These data have been supplied by LAMP, referring to the year 2020, and come from direct factory data.

Secondary data was obtained from the Ecoinvent 3.6 database of recognized international prestige.

The treatment and processing of the data has been carried out according to the international standards ISO 14025, ISOs 14040 and 14044 for the preparation of life cycle analysis and inventories, selecting the characterization factors established in the UNE 15804: 2012+ A2: 2019.

The geographic scope of the EPD is global.

Database(s) and LCA software used: The Simapro 9.2 calculation software and the Ecoinvent 3.6 database were used for the development of this study.

Description of system boundaries: The presented EPD[®] is structured by the life cycle stages established according to the PCR 2019: 14 reference standards for construction products, basing on UNE 15804 standard. This EPD[®] is from cradle to grave with module D (A + B + C) + D.

The life cycle stages analyzed are described below:

A1-A3 Product stage

The product stage is made up of the stages of supply of materials (A1), transport of materials (A2) and manufacturing (A3). As permitted by the UNE-EN 15804:2012+A2:2019 regulation, the results of stages A1-A3 have been grouped into a single product stage (A1-A3).

A1- Material supply

This module takes into account the acquisition and processing of both basic materials and the prefabricated components that make up the product. The generation of energy consumed in module A3 during the manufacture of the product is also assigned to this module.

A2- Material transport

This module includes the transport of different materials and components from the manufacturer to the factory where the final product is made (Barcelona). The distance and type of truck and specific ship for each raw material have been introduced.

A3- Manufactura

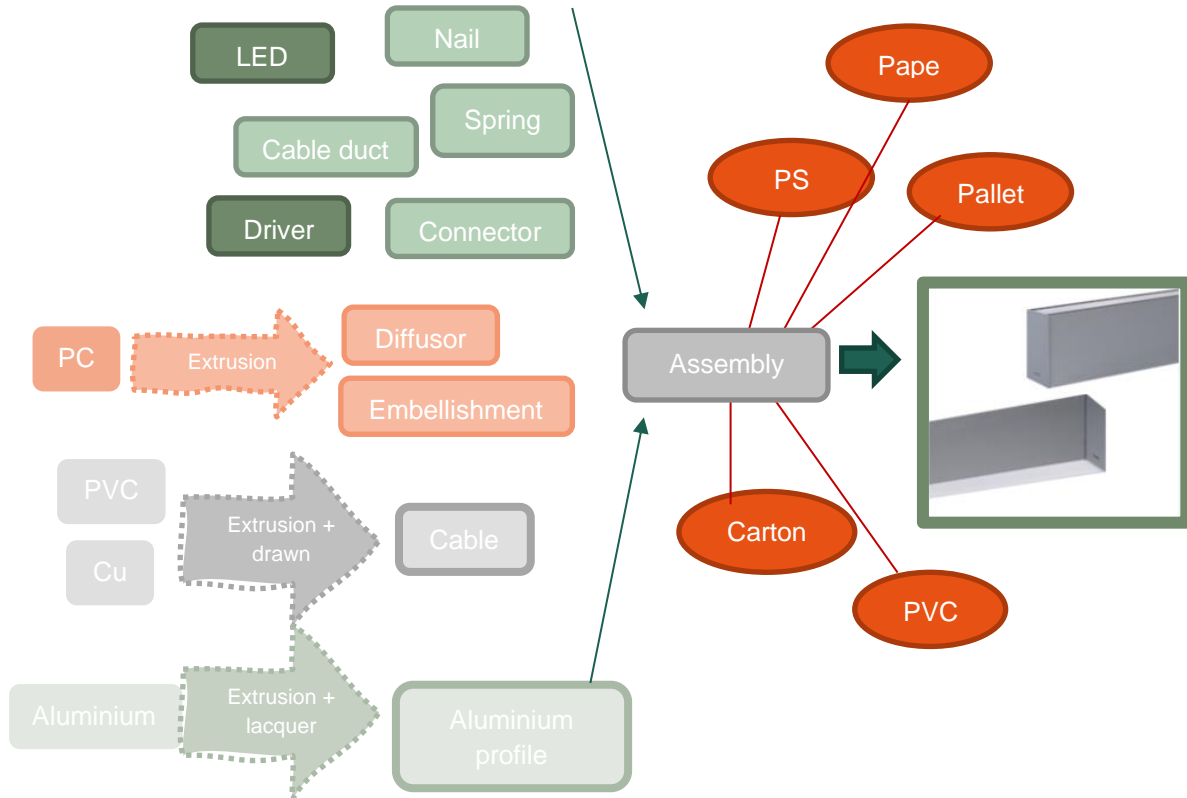
This module includes the consumption of energy and packaging materials used during the manufacturing process of Fil product. At the same time, factory emissions not originating from fossil fuels combustion of are analyzed, as well as the transport and management of waste originated from the plant (as well as production losses, managed externally to the production center).

It has been considered that the electrical energy consumed in the production plant is of certified 100% renewable origin.

The primary data used has been obtained from the production plant itself and is representative of the production of the Fil product for the year 2020.

The production process is described below in the following figure:

Figura 3. Production process



A4-A5 Installation stage

The Construction Stage is made up of modules A4 Transportation and A5 Construction – Installation Process.

The **A4 Transport** module includes the transportation of finished and packaged products from the factory gate to the construction site for their subsequent installation. In the national distribution, transport by van has been considered. In global distribution, there are two means of transport: truck and plane.

A weighted average of the mileage associated with Fil products has been considered based on its sales during the year 2020. For transport by plane, the distance by truck from the production center to the departure airport, the transport by plane itself, and a truck transport from the arrival airport to a final distribution point have been taken into account.

PARAMETER	DESCRIPTION
Type and fuel consumption of the vehicle, type of vehicles used for the transport; for example, trucks for long distance, boat, etc.	<ul style="list-style-type: none"> Domestic: "Transport truck 3,5 – 7 t EURO6" Europa: "Transport lorry 16-32 t EURO6". Diesel consumption: 0,0165 kg/tkm "Cargo plane, no specifications". Heavy fuel oil consumption: 0.00102 kg/ tkm
Distance	<ul style="list-style-type: none"> Km by truck: 600 km Km by lorry: 1500 km Km by plane: 4000 km
Capacity utilization (including empty return trip)	% assumed by Ecoinvent

Apparent density	0,521 kg/m3
Useful capacity factor	1

Module **A5 Installation Process** includes all materials and energy used to prepare the product for use. At the same time, the transport and management of packaging waste and its transport to a local waste manager is taken into account.

At this stage, 0% losses are considered. Packaging waste is only considered in two treatment scenarios: recycling, with the most up-to-date *packaging waste recycling rate* from Eurostats (2019), and the rest is sent to a controlled landfill within a radius of 50 km.

PARAMETER	DESCRIPTION	VALUE PER DECLARED UNIT
Auxiliary materials	kg	0
Water use	M3	0
Use of other resources	Not applicable	0
Quantitative description of the type and consumption of energy during the preparation and installation process.	Electricity – Drilling	330 Wh in 16 minutos
Direct emissions to soil, water or air	kg	0
Waste materials on site, before waste processing, generated by the installation of the product; specified by type	Installation losses	0%
	Packaging	0,221 kg
Output materials (specified by type) as a result of waste processing on site, eg. Eg collection for recycling, energy recovery, disposal; specified by path	Recycling ¹	<ul style="list-style-type: none"> • Paper and cardboard: 82,3% • Mixed packaging plastics: 41% <ul style="list-style-type: none"> • Wooden pallet: 31,1%
	Landfill	<ul style="list-style-type: none"> • Paper and cardboard: 17,7% • Mixed packaging plastics: 59% <ul style="list-style-type: none"> • Wooden pallet: 68,9%

B1-B7 Use stage

This stage is comprised of:

B1-Use

It includes the environmental aspects and impacts in the normal use of the product, not including the consumption of water and energy. The impact of the product at this stage is null.

B2-Maintenance

No maintenance of any kind is required during the product's 5-year useful life.

B3-Reparation

No reparation is considered.

B4-Substitution

¹ Packaging recycling rate referring to 2019. Source: Eurostats.

No substitution is considered.

B5-Rehabilitation

No rehabilitation is considered.

B6-Operational energy use

In the guaranteed useful life of 5 years, the total electricity consumption has been estimated for a power of 17,5 W, 8 hours a day and 250 days a year. Stage B6 Operational energy use therefore has a value of 175 kWh.

B7-Operational water use

No water consumption is required during the product's 5-year useful life.

C1-C4 End of life stage

The product is required to be professionally collected and recycled in accordance with the EU Directive 2012/19/EU on Waste from Electrical and Electronic Equipment (WEEE). The company fulfills its responsibility within the EU through participation in national WEEE schemes.

C1-Dismantling

In this stage, the common scenario of manual dismantling for 100% of the product is considered, in which it is necessary to unscrew with electricity from the national electrical mix.

The use of auxiliary materials is not necessary.

C2-Transport to waste manager

In this stage, a transport to the local manager within a radius of 100 km has been considered.

C3-Waste treatment

At this stage, the most up-to-date Eurostats *recycling and reuse rate* (89,2% in 2017) from *lighting equipment waste* category is used².

² The indicator is calculated by multiplying the "collection rate" by the "reuse and recycling rate" established in the WEEE Directive; where:

- The 'collection rate' is equal to the collected volumes of WEEE in the reference year divided by the average quantity of electrical and electronic equipment (EEE) placed on the market in the previous three years (both expressed in units of mass).
- The 'reuse and recycling rate' is calculated by dividing the weight of WEEE entering the recycling/preparation for reuse facility by the weight of all WEEE collected separately (both in units of mass) in accordance with Article 11 (2) of the WEEE Directive 2012/19/EU, considering that the total amount of WEEE collected is sent to treatment / recycling facilities.

The indicator is expressed as a percentage (%) since both terms are measured in the same unit.

C4-Final disposal

The rest of the product that has not entered the treatment system is sent to the landfill.

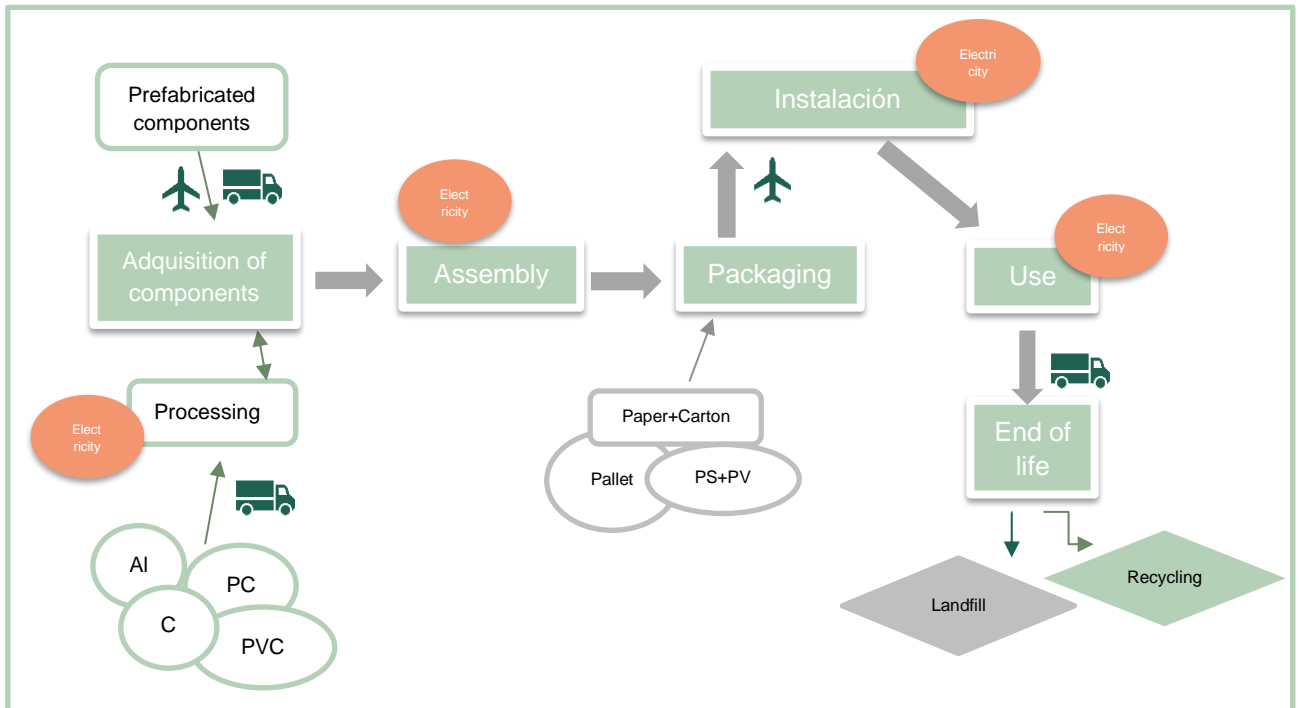
The following table summarizes the information necessary for the end-of-life stage:

Module	Parameter	Unit (per declared unit)	Value
C1 Dismantling	Collection process specified by type	Kg collected manually and separately	2,176 kg
		Kg collected mixed with construction waste	0
C2 Transport	Vehicle type and fuel consumption, type of vehicles used for transportation	Transport truck 16t EURO6	Diesel consumption: 0,0165 kg/tkm
	Distance	km	100
	Capacity utilization (including empty return)	%	100% volumn (round trip)
	Useful capacity factor		1
C3 Treatment of waste	System recovery specified by type	Kg for reuse	0
		kg for recycling	Total 1,941 kg, comprises of: <ul style="list-style-type: none"> Aluminium: 1,533 kg Steel: 0,023 kg Plastic components: 0,198 kg Electronic components, including cables: 0,187 kg
		Kg for energy recovery	0
C4 Disposal	Disposal specified by type	Kg of product for final disposal	Total 0,245 kg, comprises of: <ul style="list-style-type: none"> Aluminium: 0,186 kg Steel: 0,003 kg Plastic components: 0,024 kg Electronic components, including cables: 0,023 kg

D Reuse, recovery and recycling potential stage

This product claims the environmental benefits due to recycling and reuse according to Directive 2012/19/ EU of WEEE.

Diagrama del sistema de estudio:



More information in: <https://www.lamp.es/>

Modules declared, geographical scope, share of specific data (in GWP-GHG indicator) and data variation:

	Product Stage			Construction stage		Use stage							End-of-life stage			Benefits		
	Raw materials	Transport	Manufacturing	Transport	Installation/construction	Use	Maintenance	Reparation	Replacement	Rehabilitation	Energy use	Water use	Deconstruction-demolition	Transport	Waste treatment		Waste elimination	
Module	A1	A2	A3	A4	A5	B1	B2	B3	B4	B5	B6	B7	C1	C2	C3	C4	D	
Declared module	X	X	X	X	X	X	X	X	X	X	X	X	X	X	X	X	X	X
Geography	GLO	GLO	ES	GLO	GLO	GLO	GLO	GLO	GLO	GLO	GLO	GLO	GLO	GLO	GLO	GLO	GLO	GLO
Specific data	>90% GWP-GHG			-	-	-	-	-	-	-	-	-	-	-	-	-	-	-
Product variation	The variation of declared impacts is less than 10% for each product group					-	-	-	-	-	-	-	-	-	-	-	-	-
Site variation	-	-	One production plant	-	-	-	-	-	-	-	-	-	-	-	-	-	-	-

Additional information

- Technical support for the implementation of the EPD: OIKO.
- Allocation processes: Wherever possible, allocation has been avoided, but for energy consumption, waste production and distribution an allocation had to be made based on physical mass considerations.
- Cut-off rules and considerations:
 - The principle of modularity has been followed, as well as the polluter-payer principle.
 - The following processes have been excluded:
 - Manufacture of equipment used in production, in buildings or any other capital good
 - Transportation of personnel to the plant
 - Transportation of personnel within the plant
 - Research and development activities
 - Long-term emissions
- Calculation methodologies: to obtain the results in accordance with the provisions of UNE 15804 + A2, the “EF method”, “EDIP” and “CED” methodologies have been used for environmental impacts, waste generation and energy consumption, respectively.
- The scenarios included are currently in use and are representative of one of the most likely alternatives for the product under review.

Content information

The composition range of the Fil 45 product is shown below:

Product components	Weight, kg	Post-consumer material, weight-%	Renewable material, weight-%
Aluminium	79,82%	-	-
PC	6,23%	-	-
Driver	4,82%	-	-
LED module	3,33%	-	-
PVC	2,16%	-	-
Steel	1,18%	-	-
PE	1,09%	-	-
Nylon 6-6	0,77%	-	-
Cooper	0,61%	-	-
TOTAL	100%	-	-
Packaging materials	Weight, kg	Weight-% (versus the product)	Post-consumer material, weight-%
Carton	0,10	4,17%	100%
Wooden pallet	0,08	3,47%	-
PS	0,04	1,82%	-
Paper	0,01	0,46%	10%
PVC	0,01	0,42%	-
TOTAL	0,25		

The product does not include in its life cycle any dangerous substances included in the "Very High Impact Candidate List for Authorization (SVHC)" in a percentage greater than 0.1% of the weight of the product.

Environmental information

These results are valid for the declared unit of 1 m (one lineal meter) of technical lineal modular luminaire system FIL, utilizing as reference the average for the entire family as representative as the variation between the different models is +/- 10%

Estimated impact results are only relative statements that do not indicate impact category endpoints, exceeding threshold values, safety margins, or risks.

Results per declared unit																
Indicator	Unit	Tot.A1-A3	A4	A5	B1	B2	B3	B4	B5	B6	B7	C1	C2	C3	C4	D
GWP-total	kg CO ₂ eq.	2,83E+01	1,64E+00	4,74E-02	0	0	0	0	0	7,11E+01	0	3,57E-02	1,17E-01	2,05E-01	1,24E-03	-1,25E+00
GWP-fossil	kg CO ₂ eq.	2,81E+01	1,64E+00	4,25E-02	0	0	0	0	0	7,06E+01	0	3,55E-02	1,17E-01	2,05E-01	1,24E-03	-1,22E+00
GWP-biogenic	kg CO ₂ eq.	9,80E-02	4,01E-04	4,73E-03	0	0	0	0	0	1,66E-01	0	8,34E-05	5,14E-05	1,40E-04	7,23E-07	-6,33E-03
GWP-luluc	kg CO ₂ eq.	1,02E-01	3,67E-04	1,50E-04	0	0	0	0	0	2,92E-01	0	1,47E-04	6,61E-05	3,21E-05	3,45E-07	-2,65E-02
ODP	kg CFC 11 eq.	1,72E-06	3,67E-07	4,94E-09	0	0	0	0	0	7,00E-06	0	3,52E-09	2,34E-08	5,05E-09	5,10E-10	-1,45E-07
AP	mol H ⁺ eq.	1,93E-01	6,94E-03	2,83E-04	0	0	0	0	0	4,49E-01	0	2,26E-04	3,59E-04	2,61E-04	1,17E-05	-8,01E-03
EP-freshwater	kg PO ₄ ³⁻ eq.	7,57E-02	1,10E-03	8,26E-05	0	0	0	0	0	1,27E-01	0	6,39E-05	7,42E-05	7,88E-05	1,94E-06	-2,63E-03
EP-freshwater	kg P eq	2,04E-02	7,59E-05	1,71E-05	0	0	0	0	0	3,25E-02	0	1,64E-05	1,33E-05	1,05E-05	1,27E-07	-6,94E-04
EP-marine	kg N eq.	3,18E-02	2,19E-03	5,95E-05	0	0	0	0	0	7,29E-02	0	3,67E-05	6,64E-05	9,72E-05	4,06E-06	-1,11E-03
EP-terrestrial	mol N eq.	3,23E-01	2,40E-02	6,22E-04	0	0	0	0	0	7,41E-01	0	3,72E-04	7,21E-04	9,82E-04	4,45E-05	-1,04E-02
POCP	kg NMVOC eq.	8,85E-02	6,70E-03	2,17E-04	0	0	0	0	0	2,02E-01	0	1,02E-04	2,69E-04	2,64E-04	1,29E-05	-3,79E-03
ADP-minerals&metals*	kg Sb eq.	6,65E-04	2,75E-05	3,68E-07	0	0	0	0	0	1,68E-04	0	8,43E-08	5,46E-06	3,66E-07	1,13E-08	-9,09E-06
ADP-fossil*	MJ	3,11E+02	2,33E+01	5,15E-01	0	0	0	0	0	8,33E+02	0	4,19E-01	1,64E+00	4,09E-01	3,42E-02	-1,29E+01
WDP	m ³	8,64E+00	4,04E-02	1,34E-02	0	0	0	0	0	2,48E+01	0	1,24E-02	6,75E-03	7,40E-02	1,55E-03	-9,40E-02
Acronyms	GWP-fossil = Global Warming Potential fossil fuels; GWP-biogenic = Global Warming Potential biogenic; GWP-luluc = Global Warming Potential land use and land use change; ODP = Depletion potential of the stratospheric ozone layer; AP = Acidification potential, Accumulated Exceedance; EP-freshwater = Eutrophication potential, fraction of nutrients reaching freshwater end compartment; EP-marine = Eutrophication potential, fraction of nutrients reaching marine end compartment; EP-terrestrial = Eutrophication potential, Accumulated Exceedance; POCP = Formation potential of tropospheric ozone; ADP-minerals&metals = Abiotic depletion potential for non-fossil resources; ADP-fossil = Abiotic depletion for fossil resources potential; WDP = Water (user) deprivation potential, deprivation-weighted water consumption															

* Disclaimer: The results of this environmental impact indicator shall be used with care as the uncertainties of these results are high or as there is limited experience with the indicator.

Potential environmental impact – additional mandatory indicators

Results per declared unit																
Indicator	Unit	Tot.A1-A3	A4	A5	B1	B2	B3	B4	B5	B6	B7	C1	C2	C3	C4	D
GWP-GHG ^[1]	kg CO ₂ eq.	2,75E+01	1,63E+00	4,57E-02	0	0	0	0	0	6,98E+01	0	3,51E-02	1,15E-01	2,05E-01	1,21E-03	-1,20E+00

[1] The indicator includes all greenhouse gases included in GWP-total but excludes biogenic carbon dioxide uptake and emissions and biogenic carbon stored in the product. This indicator is thus almost equal to the GWP indicator originally defined in EN 15804:2012+A1:2013.

Use of resources

Results per declared unit																
Indicator	Unit	Tot.A1-A3	A4	A5	B1	B2	B3	B4	B5	B6	B7	C1	C2	C3	C4	D
PERE	MJ	5,77E+01	2,25E-01	1,08E-01	0	0	0	0	0	2,12E+02	0	1,07E-01	2,64E-02	2,86E-02	2,80E-04	-7,22E+00
PERM	MJ	0	0	0	0	0	0	0	0	0	0	0	0	0	0	0
PERT	MJ	5,77E+01	2,25E-01	1,08E-01	0	0	0	0	0	2,12E+02	0	1,07E-01	2,64E-02	2,86E-02	2,80E-04	-7,22E+00
PENRE	MJ	4,00E+02	2,51E+01	8,07E-01	0	0	0	0	0	1,40E+03	0	7,02E-01	1,77E+00	4,78E-01	3,67E-02	-1,93E+01
PENRM	MJ.	0	0	0	0	0	0	0	0	0	0	0	0	0	0	0
PENRT	MJ	4,00E+02	2,51E+01	8,07E-01	0	0	0	0	0	1,40E+03	0	7,02E-01	1,77E+00	4,78E-01	3,67E-02	-1,93E+01
SM	kg	0	0	0	0	0	0	0	0	0	0	0	0	0	0	0
RSF	MJ	0	0	0	0	0	0	0	0	0	0	0	0	0	0	0
NRSF	MJ	0	0	0	0	0	0	0	0	0	0	0	0	0	0	0
FW	m ³	9,67E+00	4,53E-02	1,50E-02	0	0	0	0	0	2,48E+01	0	1,24E-02	6,75E-03	7,40E-02	1,55E-03	-9,40E-02
Acronyms	PERE = Use of renewable primary energy excluding renewable primary energy resources used as raw materials; PERM = Use of renewable primary energy resources used as raw materials; PERT = Total use of renewable primary energy resources; PENRE = Use of non-renewable primary energy excluding non-renewable primary energy resources used as raw materials; PENRM = Use of non-renewable primary energy resources used as raw materials; PENRT = Total use of non-renewable primary energy re-sources; SM = Use of secondary material; RSF = Use of renewable secondary fuels; NRSF = Use of non-renewable secondary fuels; FW = Use of net fresh water															

Waste production and output flows

Waste production

Results per declared unit																
Indicator	Unit	Tot.A1-A3	A4	A5	B1	B2	B3	B4	B5	B6	B7	C1	C2	C3	C4	D
Hazardous waste disposed	kg	3,70E-03	6,35E-05	5,22E-07	0	0	0	0	0	5,31E-04	0	2,99E-07	5,18E-06	8,45E-07	5,79E-08	-1,48E-05
Non-hazardous waste disposed	kg	3,10E+00	3,78E-01	1,02E-01	0	0	0	0	0	4,23E+00	0	2,38E-03	5,59E-02	7,02E-02	2,63E-01	-5,17E-01
Radioactive waste disposed	kg	1,19E-03	1,64E-04	4,77E-06	0	0	0	0	0	8,19E-03	0	4,61E-06	1,17E-05	2,41E-06	2,54E-07	-1,25E-04

Output flows

Results per declared unit																
Indicator	Unit	Tot.A1-A3	A4	A5	B1	B2	B3	B4	B5	B6	B7	C1	C2	C3	C4	D
Components for re-use	kg	0	0	0	0	0	0	0	0	0	0	0	0	0	0	0
Material for recycling	kg	0	0	0	0	0	0	0	0	0	0	0	0	1,94E+00	0	0
Materials for energy recovery	kg	0	0	0	0	0	0	0	0	0	0	0	0	0	0	0
Exported energy, electricity	MJ	0	0	0	0	0	0	0	0	0	0	0	0	0	0	0
Exported energy, thermal	MJ	0	0	0	0	0	0	0	0	0	0	0	0	0	0	0

Información sobre el contenido de carbono biogénico

Results per declared unit		
BIOGENIC CARBON CONTENT	Unit	CANTIDAD
Biogenic carbon content in product	kg C	0
Biogenic carbon content in packaging	kg C	1,32E+01

Note: 1 kg biogenic carbon is equivalent to 44/12 kg CO₂.

Interpretation of Environmental performance results

As can be seen in figure 4, during the life cycle of a modular technical lighting system, most of the impacts occur in the use stage. Specifically, B6-Operational energy use is responsible for about 65% of the total impact in all impact indicators, with an exception of 19% in *Potential for Abiotic Depletion of non-fossil resources*.

The A1 stage of acquisition of materials is the second contributor. In fact, during this stage is when occur 23% of the impacts associated with *global warming*, 74% of the impacts associated with the *Potential of Abiotic Depletion of non-renewable resources*, between 25% and 36% of the impacts associated with the *eutrophication potential* and 23% of impacts associated with *water consumption*.

Stage A4-Transportation to customer also has a significant impact, since the sale takes place in many parts of the world that require the use of airplane.

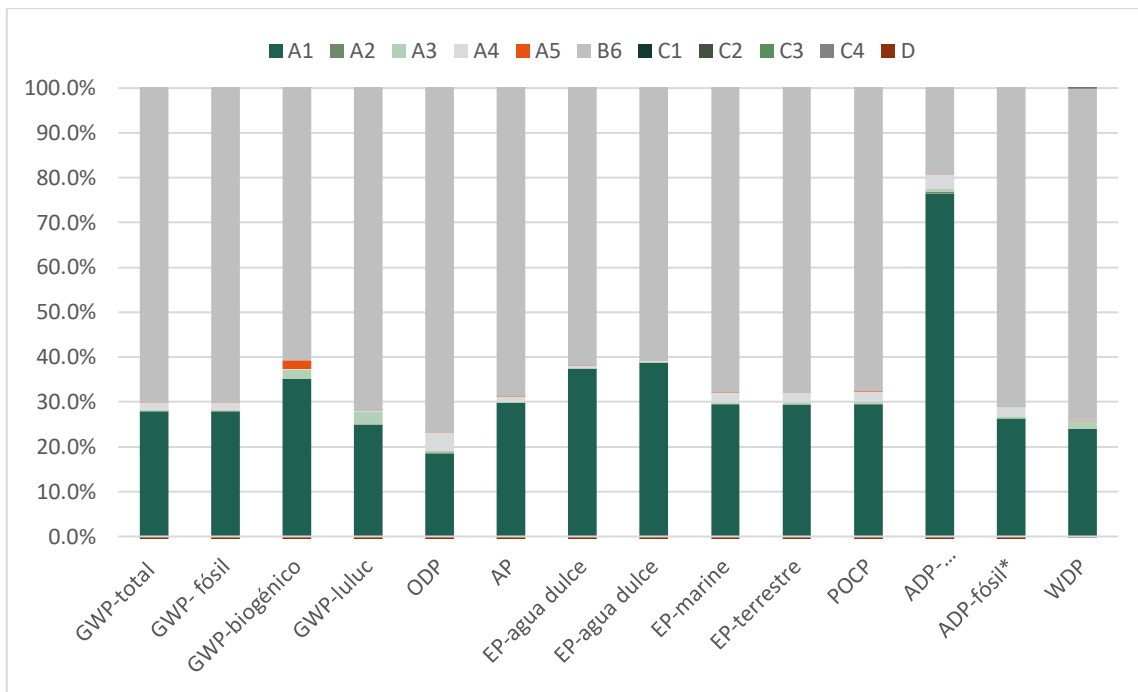


Figura 4. Contribution of life cycle stages to the product's life cycle total impact

Information related to Sector EPD

The present EPD® is individual.

References

- General Programme Instructions of the International EPD® System. Version 3.01
- ISO 14020: 2000 Environmental labels and declarations — General principles
- ISO 14025: 2010 Environmental labels and declarations – Type III environmental declarations – Principles and procedures
- ISO 14040: 2006 Environmental management — Life cycle assessment — Principles and framework
- ISO 14044: 2006 Environmental management — Life cycle assessment — Requirements and guidelines
- PCR 2019:14 Construction products (EN 15804+ A2) version 1.11
- EN 15804: 2012 + A2: 2019 Sustainability of construction works – Environmental product declarations – Core rules for the product category of construction products
- Marcel Gómez Consultoría Ambiental (2022). Memoria del Análisis del Ciclo de Vida FIL. Barcelona

